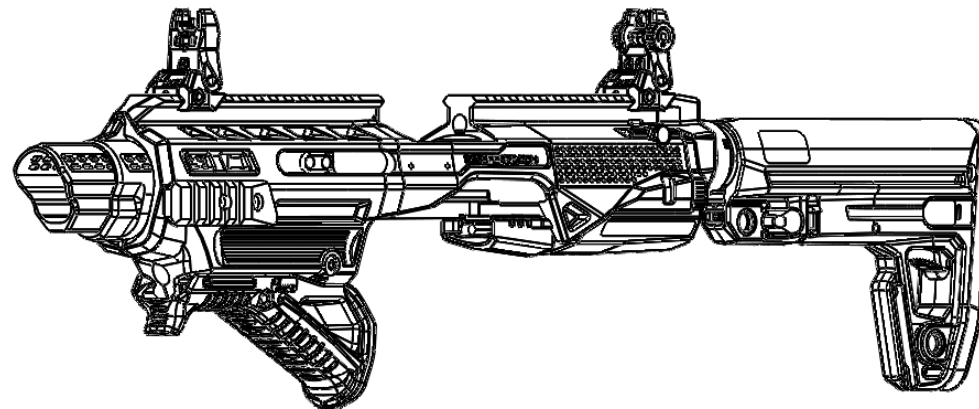




KIDON™ – PISTOL CONVERSION KIT

FOLDING STOCK INSTALLATION MANUAL



PLEASE PRACTICE SAFE HANDLING!

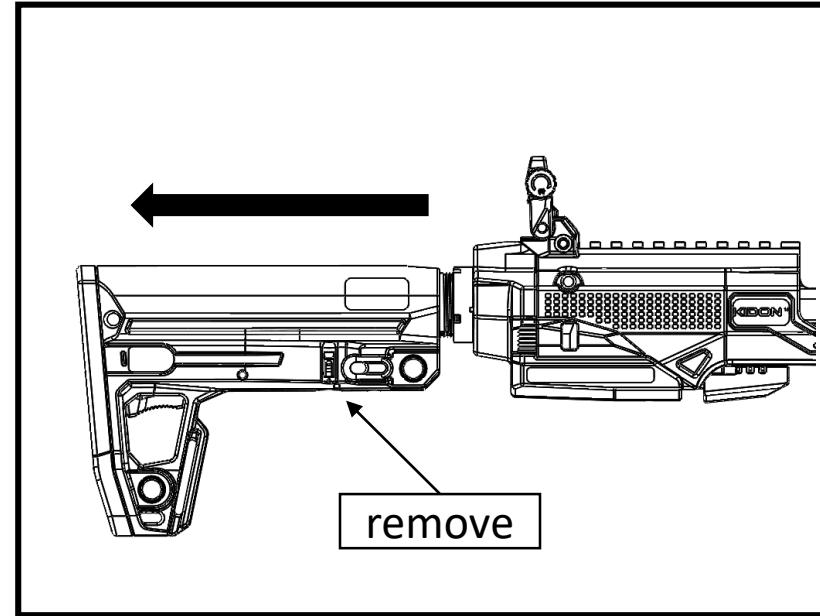


- **WARNING:** HANDLE THE KIDON AS LOADED FIREARM, CARELESS OR IMPROPER HANDLE COULD RESULT IN UNINTENTIONAL DISCHARGE AND COULD CAUSE INJURY, DEATH, OR DAMAGE TO PROPERTY.
- **CAUTION:** CAREFULLY READ THIS DOCUMENT PRIOR TO LOADING AND FIRING THE KIDON. FOLLOW ALL INSTRUCTIONS ON THE PROPER HANDLING AND SAFE USE OF THIS FIREARM - LIVES MAY DEPEND ON IT! If unfamiliar with firearms, seek further advice through safe handling courses run by your local gun clubs, approved instructor or similar qualified organizations.
- If you are not qualified to properly disassemble the KIDON parts please contact www.IMIDEFENSE.com or local gunsmith for assist.
- IMI Defense is not responsible for any damage as a result of modifying/disassembling the Kidon.



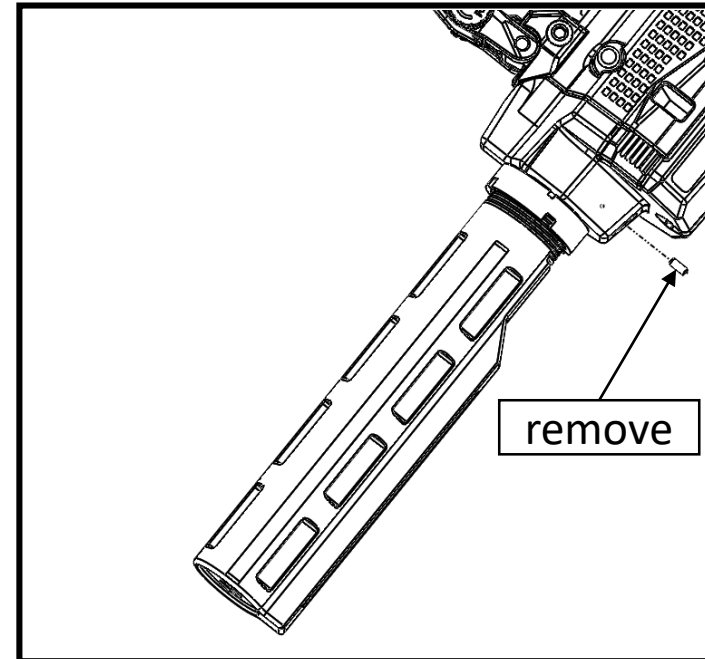
Step 1:

- Remove the Stock from the tube using a latch or other option on the stock attached.



Step 2:

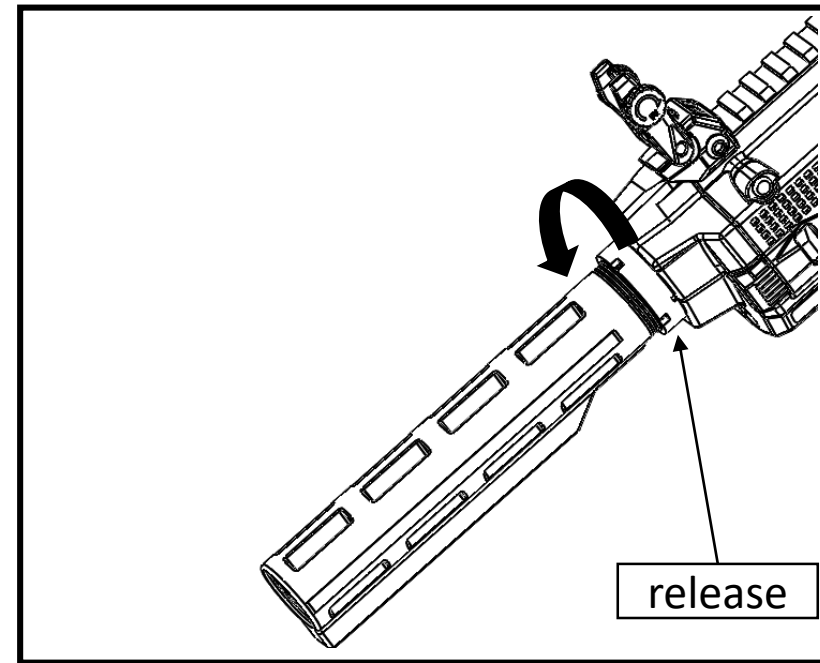
- Unscrew the small Allen screw using an Allen tool (not included in the kit).
- **Do not forget to assemble the screw when you install the replacement tube.**





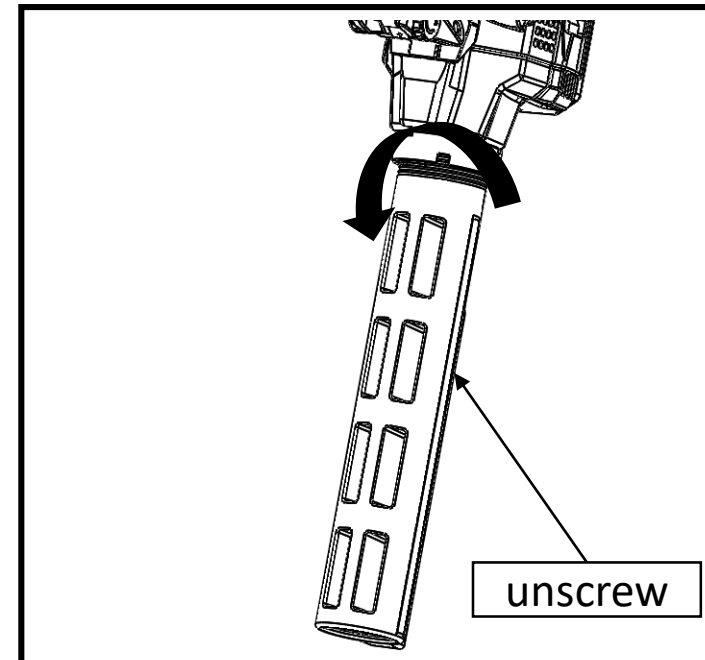
Step 3:

- Release the Retaining Ring by using an armorer tool – turn the ring clockwise.



Step 4:

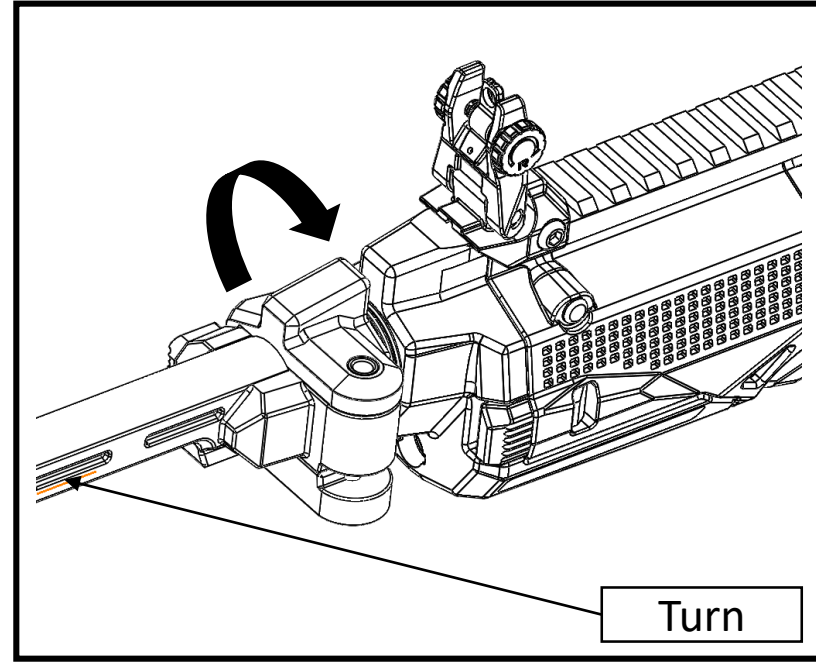
- Unscrew the tube by turning it clockwise.
- **For US version** – unscrew the QD cap clockwise no need for step 3.





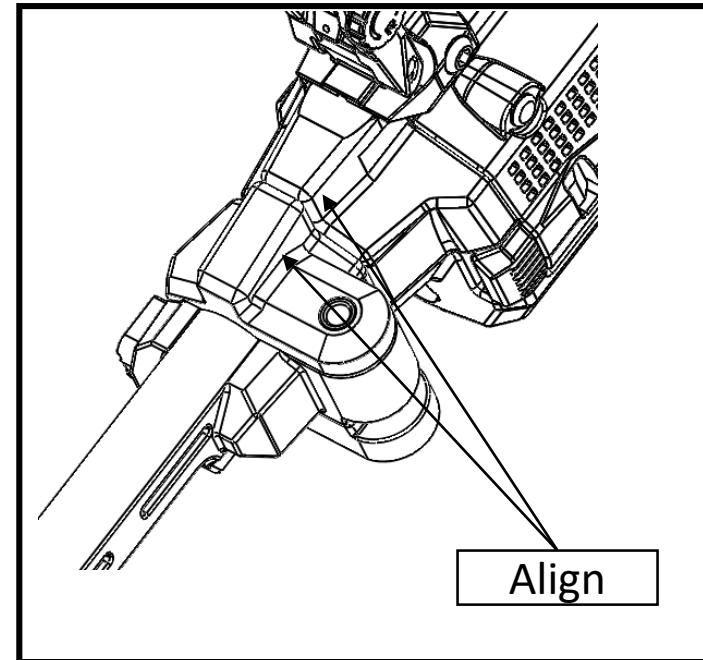
Step 5:

- Insert the assembled folding stock by screwing it to the buffer tube thread.



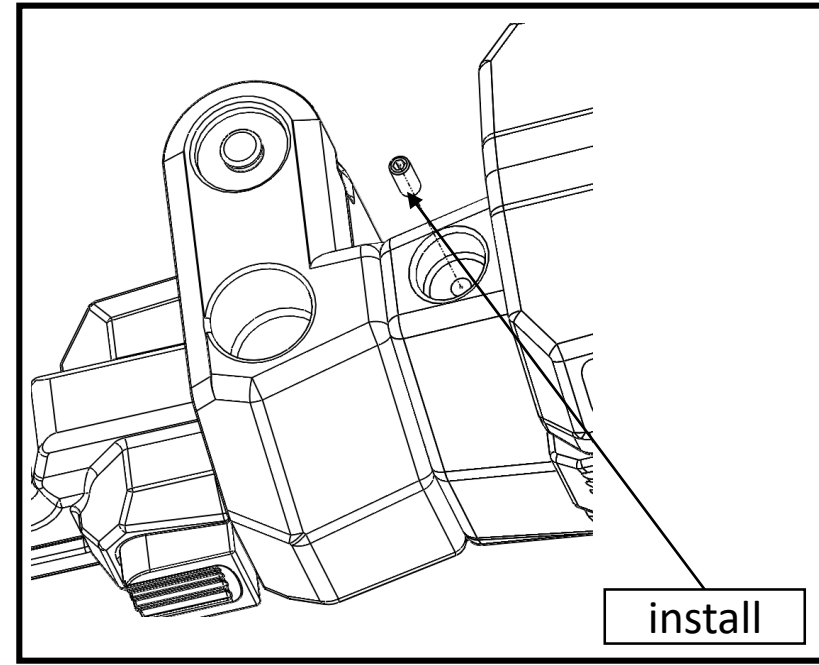
Step 6:

- Make sure the stock aligned with the body.



Step 7:

- Screw the small Allen screw using an Allen tool (not included in the kit).



Check for functionality

